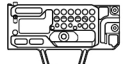
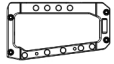


BMPCC 4K/6K

TILTA FOR CAMERA RIG

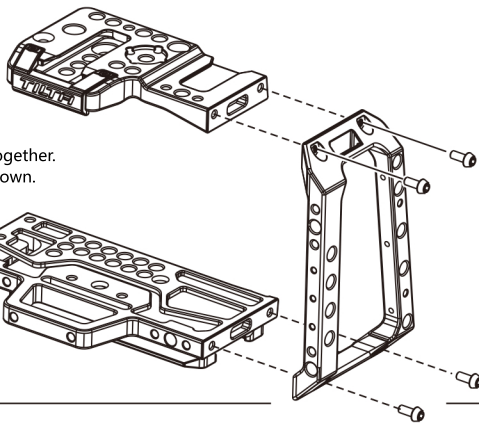
CAGE



TA-T01-HCC-A

TA-T01-HCC-B

TA-T01-HCC-C



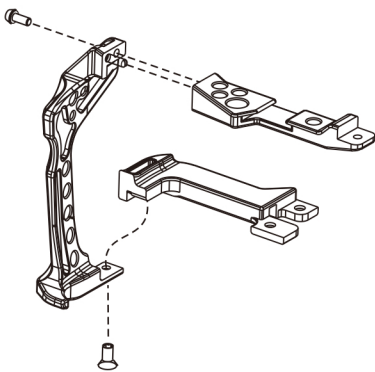
Half Cage Assembly
Attach the three parts together.
Fasten with screws as shown.



TA-T01-FCC-A

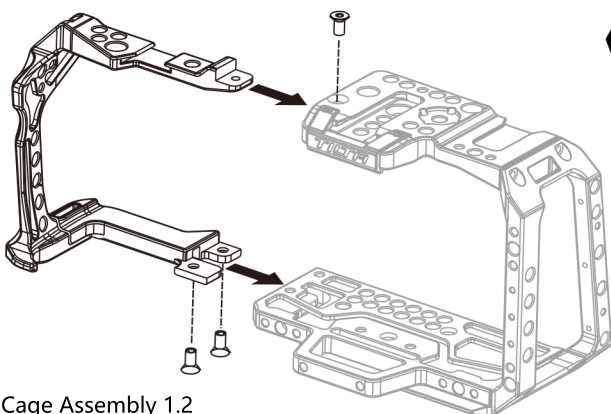
TA-T01-FCC-B

TA-T01-FCC-C



Full Cage Section Assembly 1.1

Attach the three parts together.
Fasten with screws as shown.

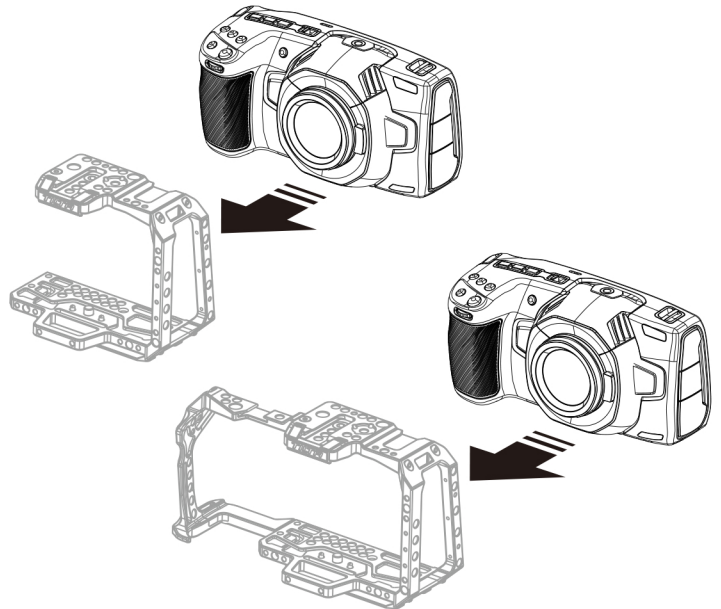


Full Cage Assembly 1.2

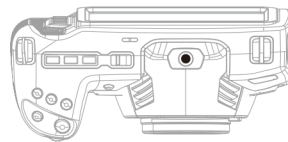
Attach the Full Cage section to the Half Cage as shown.
Fasten with screws.

4

Insert the BMPCC 4K/6k Camera into the cage as shown
(Installation is the same for the Half Cage as it is for the Full Cage).



5

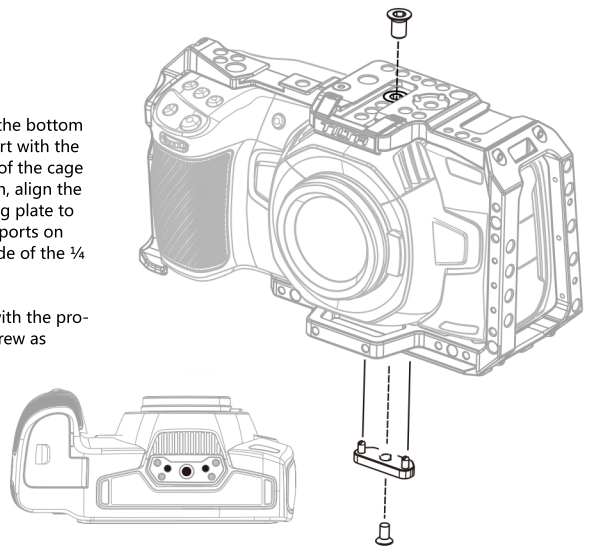


Line up the top ¼ 20 port with the port on the top of the cage as shown.

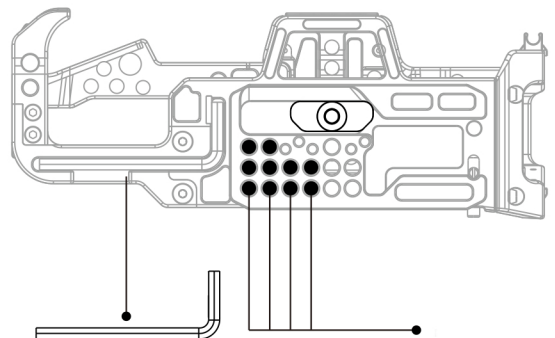
Fasten with the provided screw.

Line up the bottom ¼ 20 port with the bottom of the cage as shown, align the mounting plate to the two ports on either side of the ¼ 20 port.

Fasten with the provided screw as



6



The provided M5 Allen key is magnetic and can be stored under the cage as shown for your convenience.

The provided mounting ports on the bottom of the cage can be adapted to any Gimbal or mounting accessory.

• Disclaimer: please use the items strictly according to the instructions, we are not responsible for any problems due to inappropriate operation by the user.