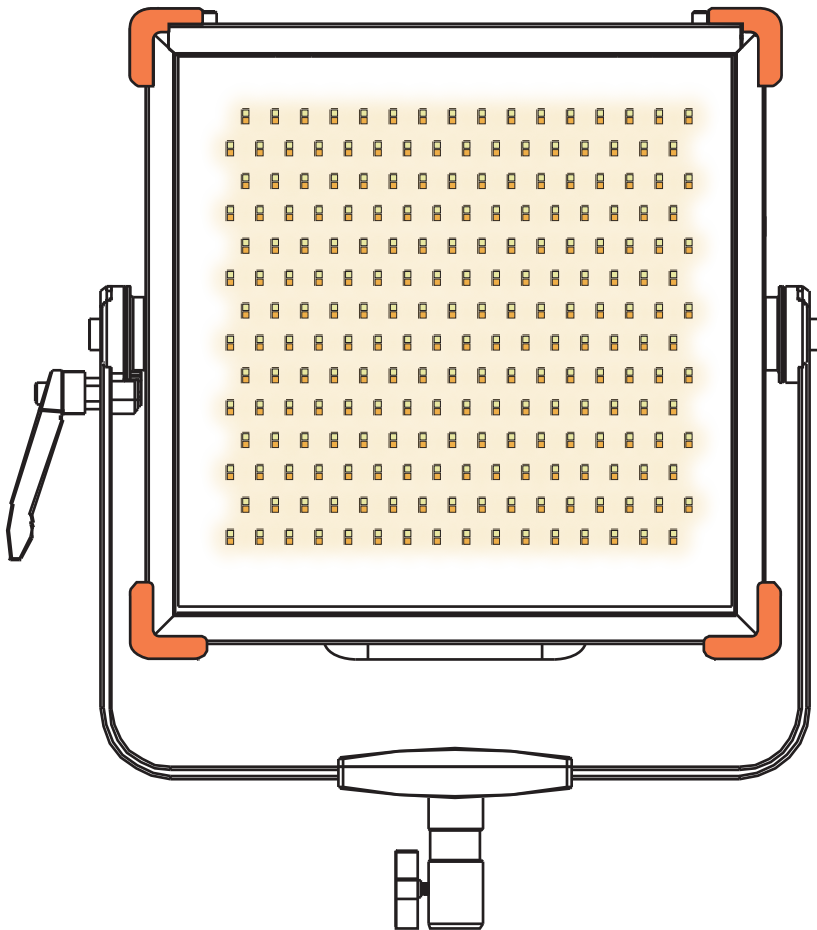




**ZOLAR™**

**Tolimán 30C User Manual**



# Preface

Please read this document carefully in order to understand the ZOLAR™ Toliman 30C (hereinafter referred to as Product) and use it reasonably. Refer to the official website ([www.z-cam.com/zolar](http://www.z-cam.com/zolar)) for the latest version of this document and updated product information.

Please contact Shenzhen ImagineVision Technology Limited (hereinafter referred to as ImagineVision) or its authorized distributor/resellers, in case of any product queries about installation or operation.

## Safety Guideline

Please read and follow this Safety Guideline and all the terms associated to this Product carefully, to know your legal rights, responsibilities, and safety instructions, otherwise, it may result in product damages, safety accidents and personal injuries. By using this Product, you hereby signify that you have read, understood, acknowledged and accepted this Safety Guideline and all the terms and conditions associated with this Product, and assume responsibility for any behaviors or consequences. You undertake to use this Product on normal and reasonable purpose, and agree to this Guideline and all the terms and conditions associated with this Product, as added, reduced, amended, modified made by ImagineVision from time to time.

ImagineVision provides no expressed or implied guarantee in relation to this Product, assumes no loss or legal responsibility raised from misuse of this Product contrary to this Safety Guideline and the terms associated to this Product, accepts no indirect, consequent, punitive, occasional, special, criminal-punitive loss or legal responsibility. Under any circumstances, the total liability of ImagineVision shall NOT exceed the price paid by you to ImagineVision for the product.

## Safety Warning

This Product is not intended for use by persons under the age of 18. Keep out of reach of children.

1. Keep children away when operating the product.
2. Do not stare at the light source as it may cause permanent eye damage.
3. Wear gloves before touching heated surfaces of the product to prevent burns.
4. Wear gloves when touching sharp edges and corners of the product to prevent cuts.
5. Do not block or cover the vents of the product.
6. Product is not waterproof and not dust proof. Prevent water and dust from entering into the product which may cause damages.
7. Position the power cables so that it will not be tripped over, or accidentally pulled out causing the product to shut down.
8. If an extension power cable is required, the minimum amperage rating should not be less than that of the product's own power cable.
9. When using the device with AC DC Power Adapter, connect it to a grounded power outlet.
10. Do not place the product near any flammable and/or volatile liquid to prevent potential damages.

## Disclaimer

All product features and technical specifications stated are subject to the sole interpretation and explanation of Shenzhen ImagineVision Technology Limited, and subject to change without notice.

# MENU

<b>Preface</b>	2
Safety Guideline	2
Safety Warning	2
Disclaimer	2
<b>Product Description</b>	5
Product Description	5
Product Highlight	5
<b>Product Overview</b>	6
Main Unit	6
Main Unit Controller	7
PSU	8
Remote Controller	9
Packing List	10
<b>Ready to use</b>	11
Installation	11
Power Supply	12
Start Up	14
Menu Operation	14
Remote Controller Connection	14
Mobile App	15
Bluetooth® Connection	15
Wi-Fi Connection	16
Firmware Upgarde	16
<b>Operation Guide</b>	17
Correlated Color Temperature Adjustment	17
Intensity Adjustment	17
Favorites	17
Light Effect	18
Light Control	20
ZolarLink Multi Light Sync	21
Indicator Status	25
Settings	26

<b>Accessories</b>	28
ZOLAR™ Stylist 32x32	28
ZOLAR™ Barndoor 32x32 (Optional Accessory)	30
ZOLAR™ SoftBox Accessory Kit 32x32 (Optional Accessories)	32
<b>Product Specifications</b>	34
<b>Photometric data</b>	36
<b>Warranty Policy</b>	37
Warranty Scope	37
Warranty Period	37
Warranty Arrangement	37
Limited Warranty	37
<b>FCC Compliance Statement</b>	38
<b>RF Warning Statement</b>	38

## Product Description

### Product Description

ZOLAR™ professional LED lighting system is developed by Shenzhen ImagineVision Technology Limited, the same successful team that created Z CAM Cinema Cameras. ZOLAR™ products are developed with profound color science knowledge, leading image processing algorithms, as well as camera lens and sensor calibration expertise. Delivering high fidelity color reproduction and excellent color rendition with performances very close to natural daylight.

Our in-house developed “Self Adaptive Spectral Nonlinear Dynamic Illuminance Calibration System” eliminates the inconsistent LED performance issues. In addition, our revolutionary solution allows a mixture of ZOLAR™ light series to be used simultaneously without any visible color deviation (color matching mode will be added to other ZOLAR™ series).

ZOLAR™ Toliman is a Bi-color LED light panel series targeting professional video productions. Its excellent soft light performance and high fidelity color reproduction has set a new benchmark for the industry. Designed with dual full spectrum LEDs to deliver continuous light spectrum across full CCT range with exceptionally high CRI & TLCI scores, particularly in R9, R12, R13 & R15. No compromise.

Spectral Similarity Index (SSI) is developed by The Academy of Motion Picture Arts and Sciences to evaluate the fidelity of color reproduction particularly for LED light, from a single chip CMOS digital camera point of view. It quantitatively compares the spectrum of the test light with that of a desired reference light source, expressing the similarity as a single number on a scale up to 100. High values indicate a high likelihood of high fidelity color reproduction by most cameras. SSI of ZOLAR™ Toliman is close to or exceeds 90, across full CCT range (3,200K~5,600K), a leading standard in the industry.

Higher score implies higher fidelity color reproduction, particularly the skin tone. This is exactly why these scores exist.

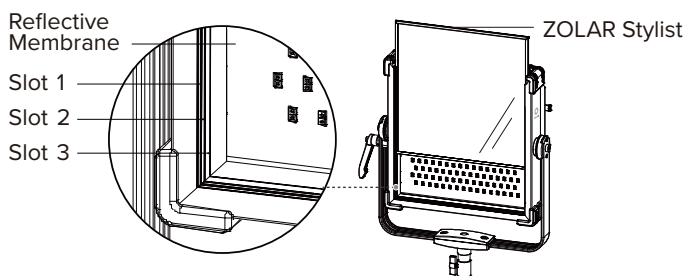
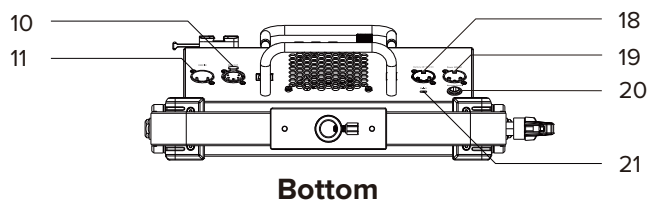
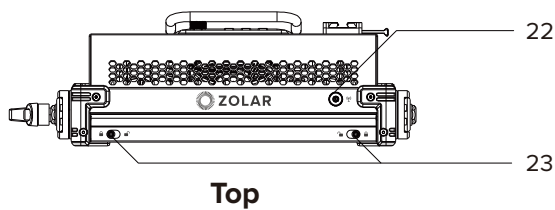
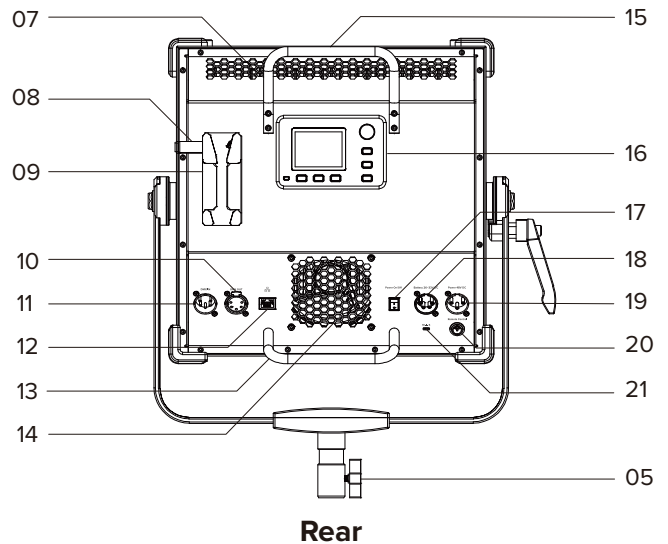
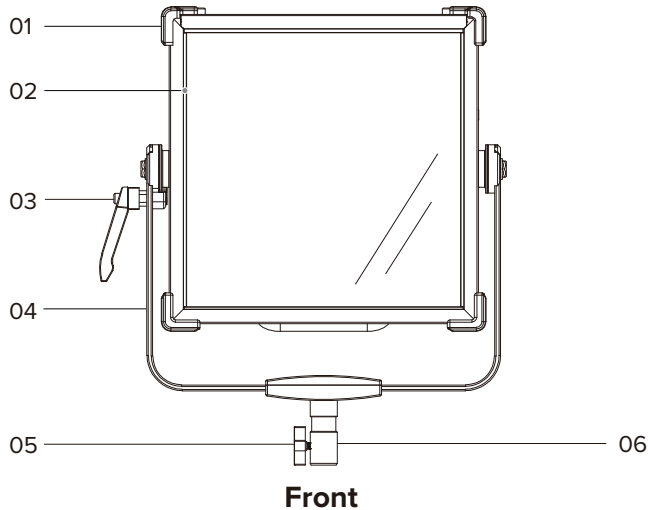
ZOLAR™, The sun is the limit!

### Product Highlight

- CRI: Ra ≥ 98 (R9 & R12 up to 98), TLCI ≥ 98;
- Spectral Similarity Index SSI up to 90;
- Power consumption 200W, Output > 7,500 lux at 1m / 3.28ft;
- DMX, Art-Net 4 & sACN + powerCON
- ZOLAR Stylist precision directional super light transmissible panel: control beam angle, light diffusion, no color shift;
- Multi Light Sync - ZolarLink (wireless / cable), rapid auto sync grouping;
- Built in Light Effect (synchronized) for different scene applications;
- Bluetooth + Wi-Fi mixed control: Remote Controller, mobile app (iOS & Android).

# Product Overview

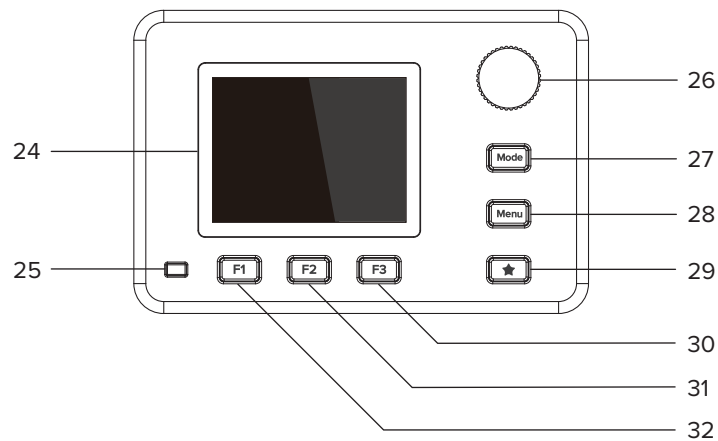
## Main Unit



[02] 3x ZOLAR Stylist Clot

1. Corner Guard
2. 3x ZOLAR Stylist Slot
3. Tilt Lock Clamping Lever
4. Yoke Mount
5. Hand Knob Swivel Screw Clamp
6. Spigot
7. Vent Holes
8. Quick Release Button
9. V-Mount Plate
10. DMX Output
11. DMX Input
12. Ethernet Port
13. Bottom Handle
14. Vent Holes
15. Top Handle
16. Main Unit Controller
17. Power Switch
18. Battery Input
19. Power Input
20. Remote Controller Port
21. M-I-S Selector
22. Antenna Port
23. Slide Latch

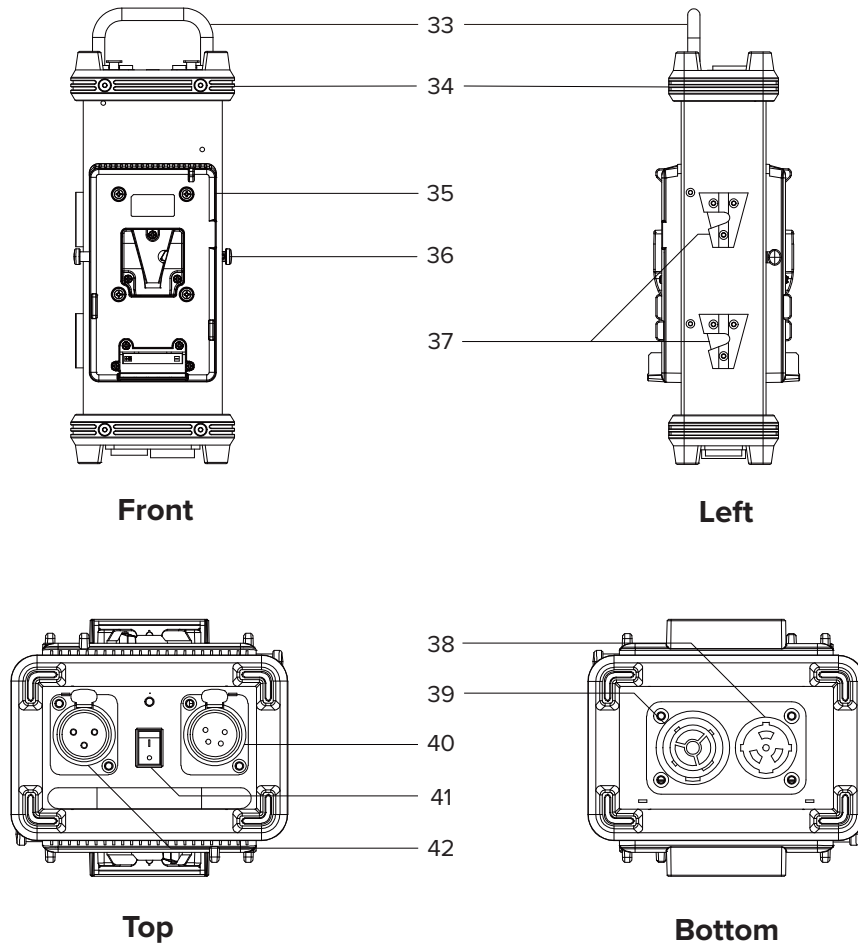
## Main Unit Controller



**[16] Main Unit Controller**

- 24. Main Unit Controller LCD Screen
- 25. Indicator
- 26. Rotary Encoder
- 27. Mode Button
- 28. Menu Button
- 29. Favorite Button
- 30. F3 Button
- 31. F2 Button
- 32. F1 Button

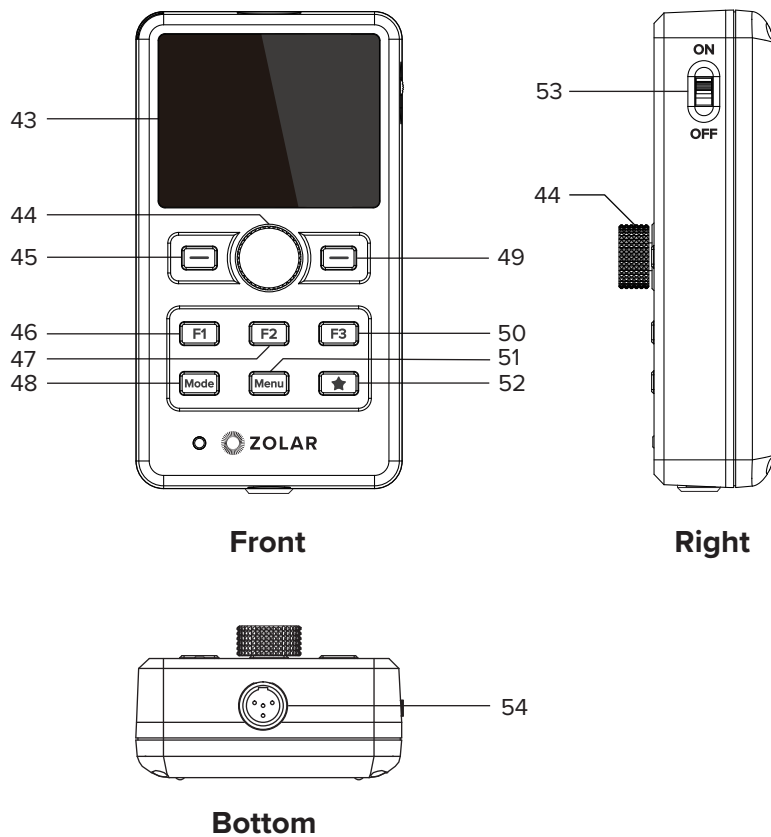
## Power Supply Unit



- 33. PSU Handle
- 34. Corner Guard
- 35. V-Mount Battery Plate
- 36. Quick Release Button
- 37. V-Mount Clip
- 38. AC Input
- 39. AC Loop Out
- 40. Battery Power Output
- 41. Power Switch
- 42. DC Power Output



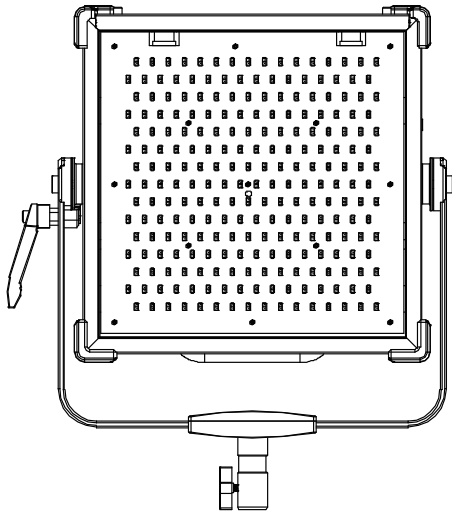
## Remote Controller



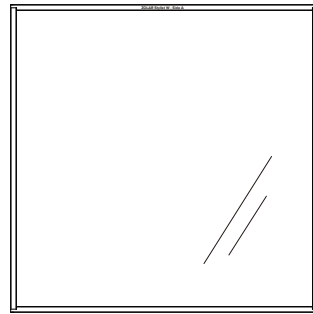
- 43. Remote Controller LCD Screen
- 44. Rotary Encoder
- 45. Left Button
- 46. F1 Button
- 47. F2 Button
- 48. Mode Button
- 49. Right Button
- 50. F3 Button
- 51. Menu Button
- 52. Favorite Button
- 53. Power Switch
- 54. Remote Controller Port

## Packing List

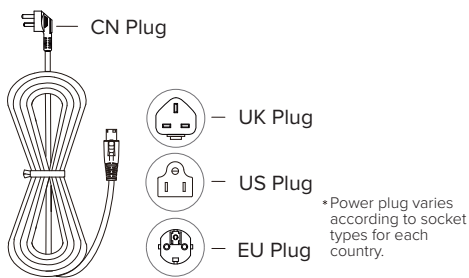
Before using this product, please check that the package contains all of the following items. If not, please contact your sellers immediately.



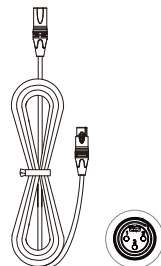
Main Unit  
1 pc



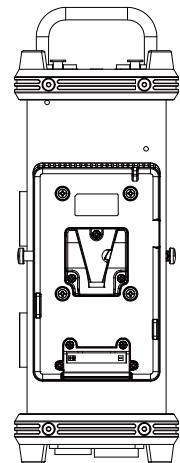
ZOLAR Stylist W 32x32



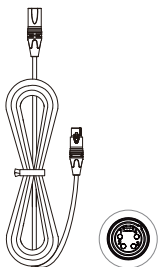
[55] AC Power Cable\* (CN)  
1 pc



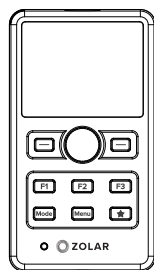
[56] DC Power Cable (3-Pin)  
1 pc



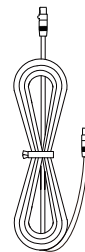
Power Supply Unit  
1 pc



[57] Battery Power  
Cable (4-Pin)  
1 pc



Remote Controller  
1 pc



Remote Controller  
Cable  
1 pc

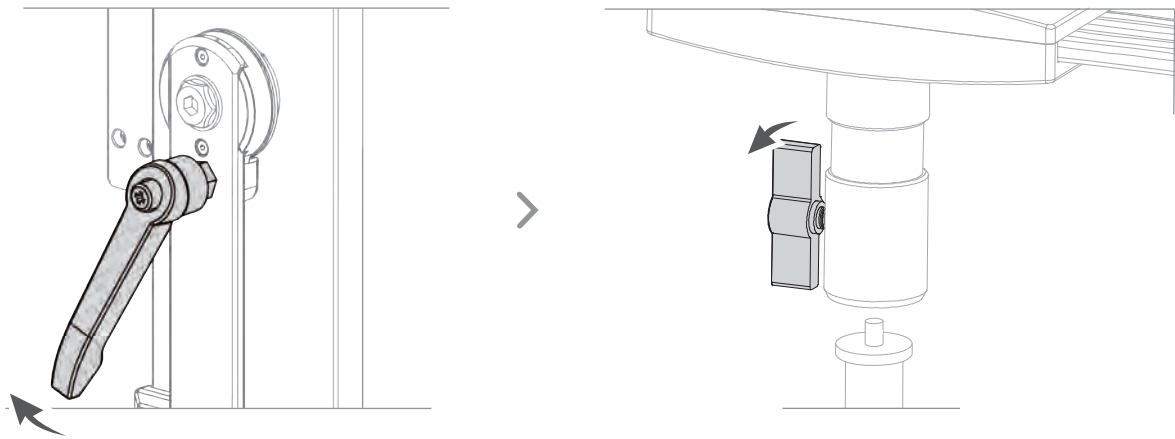


Antenna  
1 pc

## Ready To Use

### Installation

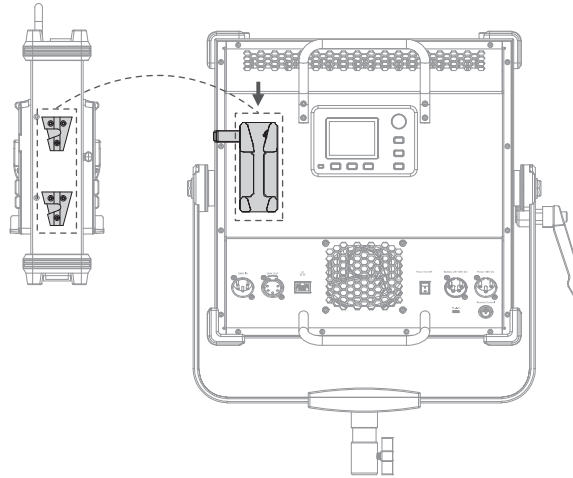
1. Rotate Tilt Lock Clamping Lever [03] to adjust the inclination between Main Unit and Yoke Mount [04]. Rotate anti-clockwise to loosen and clockwise to tighten. Angle of inclination is adjustable  $\pm 360^\circ$ ;
2. Mount the Main Unit onto light stand head mount through Spigot [06], rotate Hand Knob Swivel Screw Clamp [05] clockwise until it is tightened;
3. Repeat above step 1 to adjust the inclination between Main Unit and Yoke Mount [04] afterwards.



Graphic: Main Unit Installation

## Power Supply

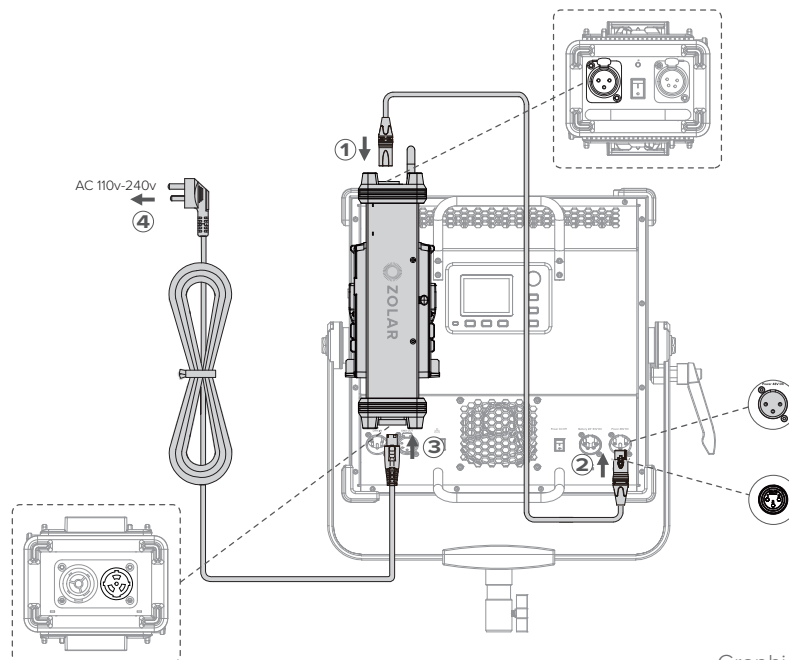
Power Supply Unit PSU can be mounted onto the Main Unit through V-Mount Clip [37] and V-Mount Plate [09].



Graphic: PSU Installation

### Using AC Power

1. Connect one end of the DC Power Cable (3-Pin) [56] to the DC Power Output [42] of the PSU, and the other end to the Power Input [19] of the Main Unit;
2. Connect AC Power Cable [55] to AC Input [38] of the PSU;
3. Connect AC Power Cable [55] plug to AC power outlet (110~240 V, 50/60 Hz);
4. To disconnect, make sure the power switch is in OFF position, unplug AC Power Cable [55] from power outlet, press and hold the safety lock of AC Power Cable [55] to pull it out from the PSU, press and hold the safety flake on the PSU DC Power Output [42] to pull out DC Power Cable [56] from the PSU, press and hold the safety lock of DC Power Cable [56] to pull it out from the Main Unit.

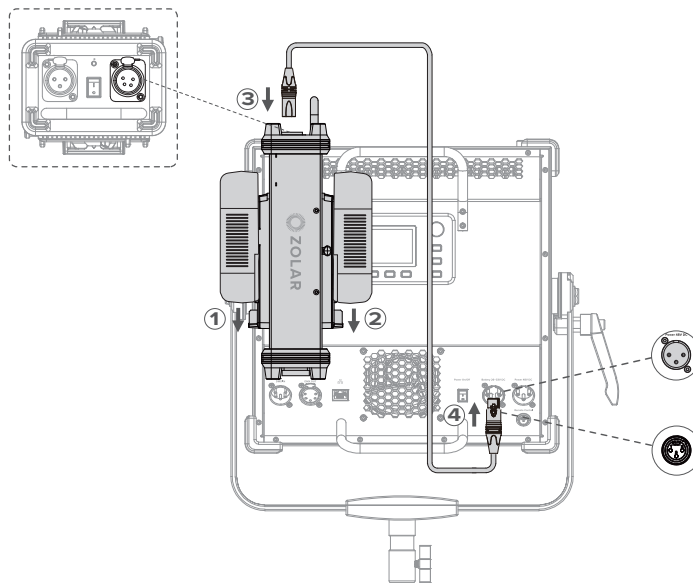


Graphic: AC Power Supply Connection

### Using Battery\*

1. Mount V-Mount battery onto V-Mount Battery Plate [35] of the PSU, one on each side;
2. Push gently downwards and lock into position;
3. Connect one end of the Battery Power Cable (4-Pin) [57] to the Battery Power Output [40] of the PSU, the other end to the Battery Input [18] of the Main Unit;
4. To unmount the battery, press and hold the Quick Release Button [36] of the PSU and lift the battery upward. Press and hold the safety flake on the Battery Power Output [40] of the PSU to disconnect the Battery Power Cable [57]. Press and hold the safety lock of the Battery Power Cable [57] plug to pull it out from the Main Unit.

\* Only 14.8V V-Mount batteries can be used. Not included in the standard package.



Graphic: Battery Power Supply Connection

## Start Up

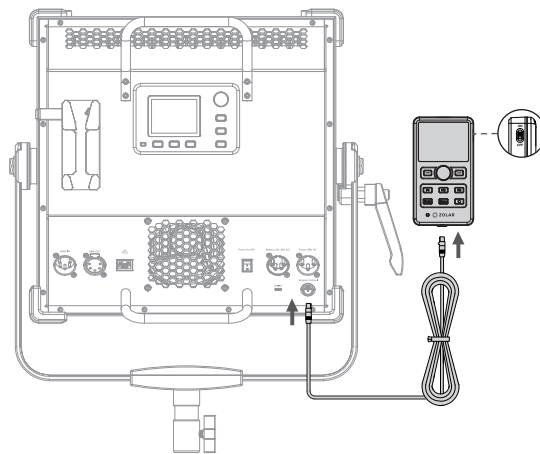
1. Verify power supply connection;
2. Turn Power Switch [41] on the PSU to “ I ” position;
3. Turn Power Switch [17] on the Main Unit to “ I ” position;
4. To power off, simply turn Power Switch [17] on the Main Unit to “ O ” position;
5. Turn Power Switch [41] on the PSU to “ O ” position.

## Menu Operation

1. Press Menu Button [28] on the Main Unit Controller [16] to enter the menu;
2. Rotate Rotary Encoder [26] clockwise to move cursor downward, anti-clockwise to move cursor upward. Press to confirm selection. Press Menu Button [28] to return to the upper level menu.

## Remote Controller Connection

1. Connect the Remote Controller cable [58] to the Remote Controller Port [20] of the Main Unit, the other end to the Remote Controller Port [54] of the Remote Controller;
2. Turn Power Switch [53] to “ON” position to start using;
3. Press and hold Right Button [49] to suspend light output of Main Unit, press and hold again to resume light output;
4. To turn off Remote Controller, simply turn Power Switch [53] to “OFF” position.



Graphic: Remote Controller Connection

## Mobile App

### ZOLAR™ Mobile App (iOS & Android)

Scan the corresponding QR code below to download and install ZOLAR™ Mobile app, then use Bluetooth or Wi-Fi to connect and control the Main Unit.



App Store (iOS)



Google Play (Android)

## Bluetooth® Connection

Screw in the antenna clockwise to the Antenna Port [22]. Download and install ZOLAR™ Mobile App.

### 1. Connect mobile device to Main Unit

- a) Press Menu Button [28] on the Main Unit Controller [16] during standby mode to enter menu;
- b) Rotate Rotary Encoder [26] to select “Information” and note down the serial number;
- c) Open ZOLAR™ Mobile App on the mobile device, click the three dots on the top right corner to enter Settings;
- d) Select “Bluetooth” in Connections, then click top left corner arrow sign to return to home menu;
- e) Click the device icon on top of the home screen and select the corresponding Main Unit, then click to confirm;
- f) Press Menu Button [28] to return to upper level menu;
- g) ZOLAR™ Mobile App is now ready to control the Main Unit.

### 2. Disconnect mobile device from Main Unit

- a) Quit ZOLAR™ Mobile App and Bluetooth will be disconnected automatically.
- b) Bluetooth connection will be reestablished automatically when ZOLAR™ Mobile App is opened again.

## Wi-Fi Connection

Screw in the antenna clockwise to the Antenna Port [22]. Download and install ZOLAR™ Mobile App.

1. Connect Main Unit to wireless router (2.4GHz frequency band only)
  - a) Press Menu Button [28] on the Main Unit Controller [16] during standby mode to enter menu;
  - b) Rotate Rotary Encoder [26] to select “Wi-Fi” , press once to enter Wi-Fi menu;
  - c) Rotate Rotary Encoder [26] to select “QR Code” , press once to display the QR Code;
  - d) Turn on WiFi and Bluetooth on mobile device. Then connect to the wireless router through Wi-Fi.
  - e) Open ZOLAR™ Mobile App on the mobile device, click the three dots on the top right corner to enter Settings;
  - f) Select “Wi-Fi configuration, position the viewfinder onto the QR Code to scan;
  - g) Once successfully scanned, SSID of the router will be shown, enter password then click “Connect” ;
  - h) Once successfully connected to the router, click top left corner arrow sign to return to home menu;
  - i) Press Menu Button [28] to return to upper level menu;
  - j) ZOLAR™ Mobile App is now ready to control the Main Unit.
2. Disconnect Main Unit from wireless router
  - a) Press Menu Button [28] on the Main Unit Controller [13] during standby mode to enter menu;
  - b) Rotate Rotary Encoder [26] to select “Wi-Fi” , press once to enter WiFi menu;
  - c) Rotate Rotary Encoder [26] to select “Disconnect” , press and select Yes, then press again to confirm disconnection.

## Firmware Upgrade

Download and install ZOLAR™ Mobile App. Connect Main Unit to wireless router. Power level should be 50% or above if using battery power. Ensure no interruption of power supply during the upgrade process:

1. Open ZOLAR™ Mobile App on the mobile device. Select Firmware Upgrade in main menu. List of Main Units connected to the wireless router and available firmware version will be shown.
2. Select the corresponding Main Unit, click Upgrade, press Confirm to start. Firmware version will be shown on the Main Unit Controller [13] display. Upgrade process will take approximately 4 minutes;
3. Upgrade is successful once the upgrade progress bar reaches 100%. Main Unit will restart automatically;
4. In case of upgrade failure, repeat the above steps to upgrade again.

Attention:

- Main Unit must be placed within 3 meters of the wireless router during the upgrade process. Otherwise there is a chance of upgrade failure.
- All necessary permissions must be granted to ZOLAR™ Mobile App. Otherwise there is a chance of upgrade failure.



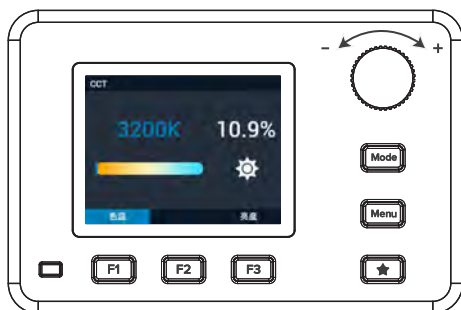
## Operation Guide

### Correlated Color Temperature Adjustment

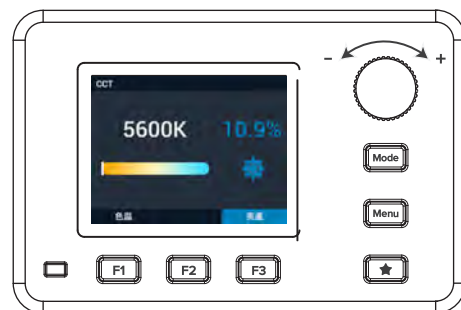
1. Press Mode Button [27] on the Main Unit Controller [16] during standby mode, rotate Rotary Encoder [26] to select CCT, press to enter CCT menu;
2. Press F1 Button [32] to enter CCT adjustment mode;
3. Rotate Rotary Encoder [26] clockwise to increase color temperature. Each click increases 50K. Highest value is 5,600K;
4. Rotate Rotary Encoder [26] anti-clockwise to decrease color temperature. Each click decreases 50K. Lowest value is 3,200K;
5. Press F1 Button [32] again to lock the current color temperature, and quit the CCT adjustment mode.

### Intensity Adjustment

1. Press F3 Button [30] on the Main Unit Controller [16] during standby mode to enter Intensity adjustment mode;
2. Rotate Rotary Encoder [26] clockwise to increase intensity. Each click increases 0.1%. Highest value is 100%;
3. Rotate Rotary Encoder [26] anti-clockwise to decrease intensity. Each click decreases 0.1%. Lowest value is 0%;
4. Press F3 Button [30] again to lock the current intensity, and quit the intensity adjustment mode.



Graphic: CCT Adjustment Interface



Graphic: Intensity Adjustment Interface

### Favorites

1. Confirm the intensity and CCT values that need to be collected;
2. Press and hold the Favorite Button [29] of the Main Unit Controller [16] until "Saved" is displayed at the top of the screen, then release it, and the preference has been favorited;
3. If you want to use the favorites, click the Favorites Button [29] to display the list of all favorites;
4. Rotate Rotary Encoder [26], after selecting it, press the Rotary Encoder [26] to confirm, and then press the Favorite Button [29] to return;
5. If you want to delete your favorites, after selecting them in the favorites list, press the F3 Button [30] to choose whether to delete them;
6. To delete all favorites, long press the F3 Button [30] to choose whether to delete all.

## Light Effect

ZOLAR™ built in light effect library consists of commonly used light effects on-set production and in TV broadcast studios. Ideal substitute for special light effect equipment.

List of light effects :

- Cloud Passing
- Explosion
- Fire
- Fireworks
- Fluorescent Flicker
- Lightning
- Paparazzi
- Pulsing
- Strobe
- Television
- Welding
- Process
- Fade In/Out



Cloud Passing



Explosion



Fire



Fireworks



Fluorescent  
Flicker



Lightning



Paparazzi



Pulsing



Strobe



Television



Welding



Process



Fade In/Out

Graphic: Light Effects Icons

Select light effect either directly on the Main Unit Controller menu, or through Art-Net / sACN. Each light effect can be set individually. Settings of effect can be saved in Favorite for quick retrieval.

#### 1. Effect Selection

- a) Press Mode Button [27] on the Main Unit Controller [13] during standby mode, rotate Rotary Encoder [26] to select Effect, press to enter Effect menu;
- b) Press Rotary Encoder [26] once again to show the Effect list;
- c) Rotate Rotary Encoder [26] to select an effect from the list, press to confirm, and return to Effect menu;

#### 2. Adjustment of Effect Intensity

- a) Press F3 button [30] in Effect menu to enter intensity adjustment mode;
- b) Rotate Rotary Encoder [26] to select the desired intensity, press F3 Button [30] to lock the intensity, and quit intensity adjustment mode.

#### 3. Settings of Effect

- a) Press F1 button [32] in Effect menu to enter Settings;
- b) Rotate Rotary Encoder [26] to select and adjust settings of the effect, select Exit or press Menu Button [28] to quit settings.

#### 4. Start/Stop Effect

- a) When Effect is not in operation, press F2 Button [31] to start Effect;
- b) When Effect is in operation, press F2 Button [31] to stop Effect, Main Unit will cease light output.
- c) Start/Stop Effect operation is only allowed in Effect menu.

#### 5. Quit Effect

Press Mode Button [27] on the Main Unit Controller [16] in Effect menu, rotate Rotary Encoder [26] to select CCT, press Rotary Encoder [26] to confirm and quit Effect.

## Light Control

### Dimming Curve

ZOLAR™ Toliman 30S supports four Dimming Curves, the Dimming Curves are overall situation and can be controlled through the main unit menu, Art-Net / sACN or DMX.

- **Exponential (default setting):** The dimming precision is higher at lower intensity and lower at higher intensity. Use this dimming curve if you want to use high precision at low intensity.
- **Logarithmic:** The dimming precision is lower at lower intensity and higher at higher intensity. Use this dimming curve if you want to use high precision at high brightness.
- **Linear:** The intensity change is proportional to the value adjusted by the Rotary Encoder [26].
- **S-curve:** The dimming precision is high at both lower and higher intensity, and lower at intensity levels in between. Use this dimming curve for high precision at low and high intensity levels.

Tip: When you choose the basic intensity value in the flat area of the dimming curve, the dynamic range of the light effect will be very low in this intensity. Change to another light effect or select another dimming curve to obtain a more dynamic light effect.

### Set Dimming Curve

1. Press the Menu Button [28] on the Main Unit Controller [16] to enter the menu interface;
2. Rotate Rotary Encoder [26], select “Light Control” , and press the Rotary Encoder [26] to enter the next level menu;
3. Select “Dimming Curve” and press the Rotary Encoder [26] to enter the next level menu;
4. Rotate Rotary Encoder [26], after selecting the dimming curve, press the Rotary Encoder [26] to confirm;
5. Select “Exit” or press the Menu Button [28] to return to the original menu step by step.

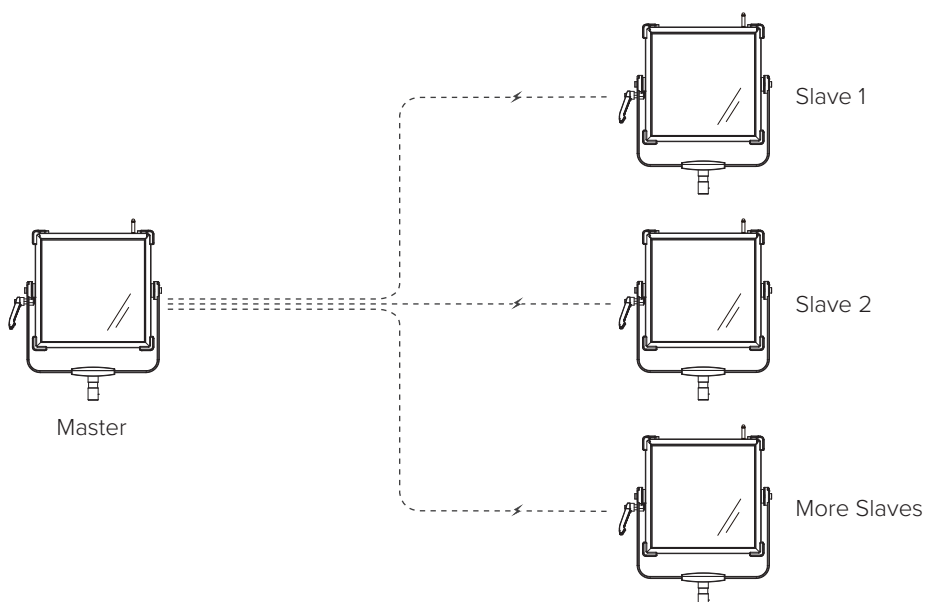
## ZolarLink - Multi Light Sync

ZolarLink multi light wireless sync technology adopts the self-developed intelligent response synchronization structure, which does not need to be connected to the network one by one, and does not need to use any computer or mobile phone device. It can set up to 16 groups of ID tags, each ID tag supports up to 60 slaves, providing an unprecedented efficient and new convenient experience for the synchronous interconnection of multiple lights.

### 1. ZolarLink Initial Pairing

- a) Make sure that when the master and slave are connected, they are kept within a distance of 3 meters, and the Antenna Port [22] has been installed with an antenna;
- b) Select one as the host, turn off the power, the M-I-S Selector [21] selects the M position; turn on the power, the Indicator [25] flashes in magenta;
- c) Select one as the slave, turn off the power, turn the M-I-S Selector [21] to select the S position; turn on the power, the Indicator [25] will flashes in cyan;
- d) The master and slave will be successfully networked within 5 seconds, the top area of the Controller LCD Screen [24] of the master will display a magenta connection icon and the number of connected slaves, and the indicator [25] turns a steady magenta; the top area of the Controller LCD screen [24] of the slave will display a cyan connection icon, and the indicator [25] turns a steady cyan;
- e) Repeat steps c and d to add other slaves to the same group ID (up to 60);
- f) If it still fails to join the network after more than 20 seconds, press the Menu Button [28] on the Main Unit Controller [16] to enter the menu list, turn the Rotary Encoder [26], select "ZolarLink", and press it to enter the "ZolarLink" menu, select "Disconnect", the slave will automatically restart and re-pair, if it still fails, please refer to "Exception Handling";
- g) After completing the pairing operation, place the master and slave at the desired location, the longest distance between them is about 100 meters\*.

\*Varies depending on on-site wireless network signal reception conditions



Graphic: ZolarLink - Multi Light Sync

#### Notice:

During the pairing process, try to stop the operation and change the settings of products within the same network.

**Tip:**

If all slaves (without changing the default group ID) are power on at the same time for initial pairing:

10 units: about 48 seconds\*

20 units: about 1 minute 52 seconds\*

30 units: about 2 minutes 55 seconds\*

40 units: about 5 minutes and 10 seconds\*

50 units: about 6 minutes\*

It is recommended that the number of paired slaves should not exceed 10 at the same time in each round, which is more efficient.

If paired, all slaves will power on at the same time to synchronize with the master: within about 2 seconds\*

\*Varies depending on on-site wireless network signal reception conditions

## 2. Quick unpairing

- a) Press the Menu Button [28] on the Main Unit Controller [13] of the master to enter the menu list, rotate Rotary Encoder [26], select “ZolarLink” , press it to enter the “ZolarLink” menu, select “Disconnect” , all paired online slaves will automatically cancel the pairing relationship with the master, without the need to deal with slaves one by one;
- b) If the master needs to become a slave to join a new network pairing, turn off the power, turn the M-I-S Selector [21] to select the S position, and then follow the "Initial Pairing" process;
- c) If this master needs to return to the idle state, please follow the "Exit ZolarLink" process.

## 3. ZolarLink Sync Usage Mode (overall situation)

- a) Change the relevant color temperature, intensity, light effect and other settings on the master, all the slaves of the same group ID will be automatically synchronized to the same settings;
- b) After synchronization, each slave can be set individually as required, without affecting the original settings of other slaves or masters of the same group ID;
- c) If you want to save all the current settings of the master and slave in the same group ID, the master enters the "ZolarLink" menu, rotate Rotary Encoder [26] to select "Scene", and then select one of 1 to 8 as the scene number, long press Rotary Encoder [26] to save;
- d) If you need to update the scene after the master and slave settings in a group of IDs are changed, you can repeat step c (select the same scene number); if you want to save to another scene number after the settings are changed, you can repeat step c (select another scene number) ;
- e) If the master and slave settings are changed individually in the same group ID, if you want to restore the original saved scene settings, enters the “ZolarLink” menu of the master, rotate Rotary Encoder [26] to select “Scene” , and then select the desired restore Scene number, press the Rotary Encoder [26] , the master and slave will restore the original scene settings;
- f) If a slave wants to exit this group ID without being affected by its synchronization update, enter the “ZolarLink” menu, rotate Rotary Encoder [22] to select “Sync” , press it once, select “Off” , and press it again to confirm, The slave will no longer receive synchronous update commands from the master.

#### 4. ZolarLink Group Management

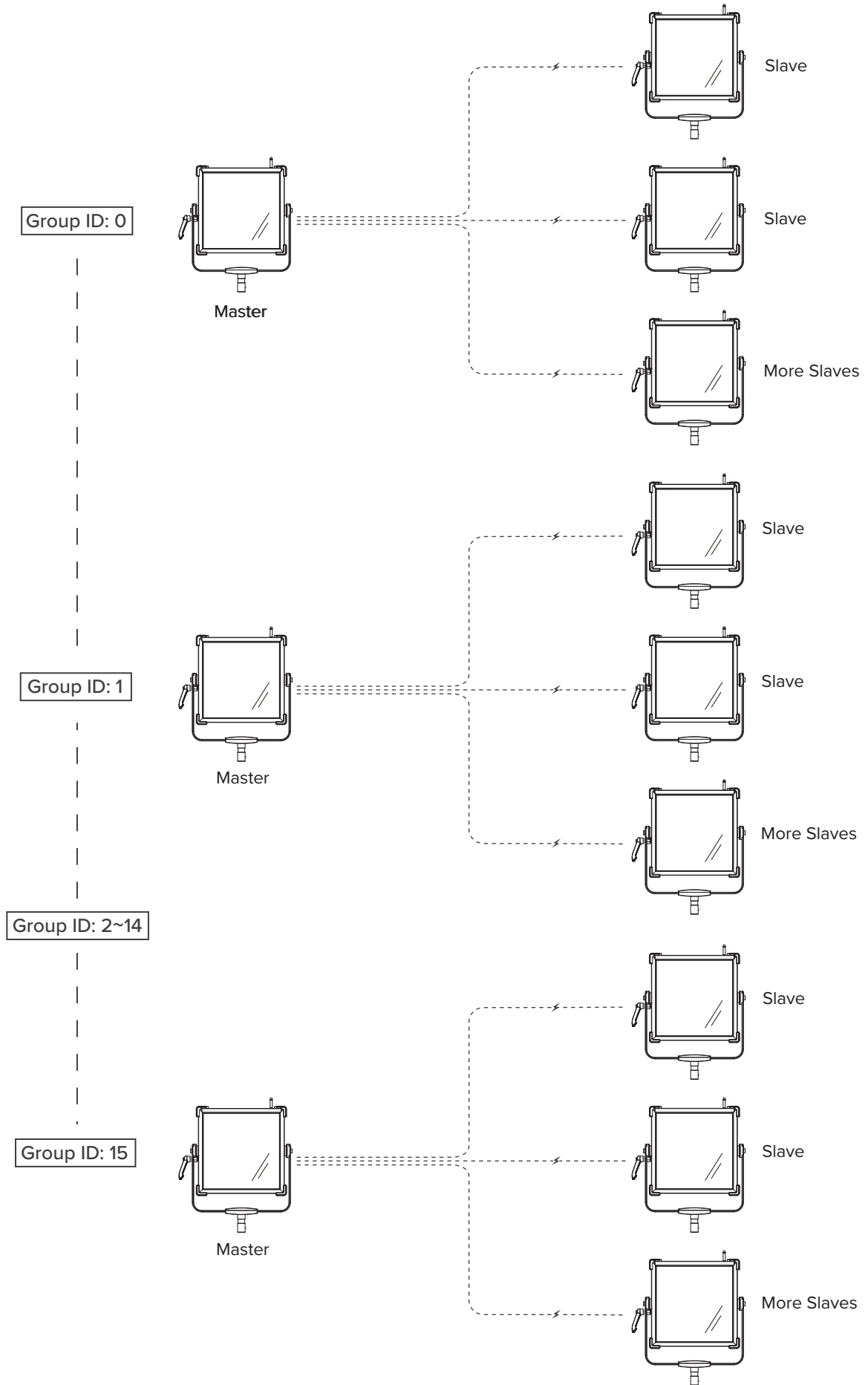
Support up to 16 "group IDs" for master-slave connection for group management;

- a) Make sure that when the master and the slave are connected, they are kept within 3 m;
- b) Select one as the master, turn off the power, the M-I-S Selector [21] to select the M position; turn off the power, the Indicator [25] flashes in magenta;
- c) Press the Menu Button [28] on the Main Unit Controller [16] to enter the menu list, rotate Rotary Encoder [26], select "ZolarLink", press it to enter the "ZolarLink" menu, make sure "Bluetooth", "Light Control" and "Sync" settings are all in the "On" state in the "ZolarLink" menu;
- d) Rotate Rotary Encoder [26] to select "Group ID", press it once to enter the ID setting menu, press it once to change the group ID, rotate Rotary Encoder [26] to select the group ID (between 0 and 15), and make sure that this group ID is not used by other nearby masters, click again to confirm (if the group ID is changed, the master will automatically restart);
- e) Select one as the slave, turn off the power, the M-I-S Selector [21] to select the S position; turn on the power, the indicator light [25] flashes in blue;
- f) On the Main Unit Controller [16] of the slave, press the menu Button [28] to enter the menu list, rotate Rotary Encoder [26], select "ZolarLink", press it to enter the "ZolarLink" menu, and turn the Rotary Encoder [26] select "Group ID", press to enter the ID setting menu, press to change the group ID, rotate Rotary Encoder [26] to select the same group ID (between 0 and 15) as the master, and then press again to confirm;
- g) The master and slave will be successfully networked within 5 seconds, the top area of the master Main Unit Controller LCD screen [24] will display a magenta connection icon and the number of connected slaves, and the indicator [25] turns a steady magenta; The top area of the slave Main Unit Controller LCD screen [24] will display a cyan connection icon, and the status of the indicator [25] turns a steady cyan;
- h) Repeat steps e, f and g to add other slaves to the same group ID (up to 60);
- i) If it still fails to join the network after more than 20 seconds, press the Menu Button [28] on the Main Unit Controller [16] to enter the menu list, rotate Rotary Encoder [26], select "ZolarLink", and press it to enter the "ZolarLink" menu, select "Disconnect", the slave will automatically restart and re-pair, if it still fails, please refer to "Exception Handling";
- j) After completing the pairing operation, place the master and slave in the desired location, the longest distance between them is about 100 meters\*

\*Varies depending on on-site wireless network signal reception conditions.

#### Notice:

During the pairing process, try to stop the operation and change the settings of products within the same network.



Graphic: ZolarLink - Group Management



## 5. ZolarLink Signal Check

If there is a significant delay in slave synchronization when the master changes settings, please refer to the following steps:

- a) Press the Menu Button [28] on the Main Unit Controller [16] of the master to enter the menu list, rotate Rotary Encoder [26], select "ZolarLink", press it to enter the "ZolarLink" menu, rotate Rotary Encoder [26] to select "Status", click to enter "ZolarLink Device List", and display all connected slave IDs and their connection signal strength;
- b) Press the Menu Button [28] on the Main Unit Controller [16] of the slave to enter the menu list, rotate Rotary Encoder [26], select "ZolarLink", press it to enter the "ZolarLink" menu, rotate Rotary Encoder [26] to select "Signal", display the signal strength between the current location and the master. If the strength is showed as "Weak", please adjust the distance between the slave and the master until the strength is showed as "Normal" or "Good".

## 6. Exit ZolarLink

When the master and slave are in the power-off state, turn the M-I-S Selector [16] to select the "I" position, and turn on the power. The indicator [21] turns a steady green, indicating that the main unit has returned to the idle state.

## 7. Exception Handling

If the slave fails to pair with the master unit, please refer to the following steps:

- a) Please ensure that the distance between the master and the slave is within 3 meters;
- b) During the pairing process, try to stop the operation and change the product settings in the same network;
- c) Make sure that in the "ZolarLink" menu, the "Bluetooth", "Light Control" and "Sync" settings are all in the "On" state;
- d) Restart the master and slave;
- e) If it still fails to pair with the master after more than 20 seconds, reset the ZolarLink network, press the Menu Button [28] on the master's Main Unit Controller [16] to enter the menu list, rotate Rotary Encoder [26], select "ZolarLink", click to enter the "ZolarLink" menu, rotate Rotary Encoder [26] to select "Reset Network", rotate Rotary Encoder [26] to select "Yes", the master will automatically restart and disconnect all slaves;
- f) Press the Menu Button [28] on the slave's Main Unit Controller [16] to enter the menu list, rotate Rotary Encoder [26] to select "ZolarLink", press it to enter the "ZolarLink" menu, rotate Rotary Encoder [26] to select "Reset Network", and select "Yes", the slave will automatically restart, disconnect from the host, and search for a connectable host for pairing.

## Indicator<sup>[25]</sup> Status

Status	Long bright	Flash (0.5 second interval)
Red	Wrong	-
Green	Normal	-
Blue	ArtNet / sACN in use	-
Yellow	Warning: Voltage / Temperature	Firmware upgrade in progress
Magenta	ZolarLink Mode: Master is connected	ZolarLink Mode: Master disconnected
Cyan	ZolarLink Mode: Slave is connected	ZolarLink Mode: Slave disconnected
White	DMX Input / Output	-

## Settings

### View Information

You can view various information about the current device. Include power voltage, temperature, device usage, light usage, calibrated, firmware version, and serial number. Check it out as follows:

1. On the standby interface of the Main Unit Controller [16], press the Menu Button [28] to enter the menu list;
2. Rotate Rotary Encoder [26] to select “Information” , and press it to enter the “Information” menu;
3. Rotate Rotary Encoder [26] to view information such as power voltage, temperature, device usage, light usage, calibrated, firmware version, and serial number. ;
4. Select Exit or press the Menu Button [28] to exit the Infomation menu.

### Language Setting

1. On the standby interface of the Main Unit Controller [16], press the Menu Button [28] to enter the menu list;
2. Rotate Rotary Encoder [26], select "Settings", and press to enter the "Settings" menu;
3. Rotate Rotary Encoder [26], select “Language” , and press it to enter the “Language” menu;
4. Rotate Rotary Encoder [26], select "Chinese" or "English", and press to confirm;
5. Select Exit or press the Menu Button [28] to exit the "Language" menu.

### LCD Brightness Setting

1. On the standby interface of the Main Unit Controller [16], press the Menu Button [28] to enter the menu list;
2. Rotate Rotary Encoder [26], select "Settings", and press to enter the "Settings" menu;
3. Rotate Rotary Encoder [26], select “LCD Brightness” , and press it to enter the “LCD Brightness” menu;
4. Rotate Rotary Encoder [26] clockwise to increase the LCD brightness, each click increases 10%, highest value is 100%;
5. Rotate Rotary Encoder [26] anti-clockwise to decrease the LCD brightness, each click decreases 10%, lower value is 0%;
6. After selecting, press the Rotary Encoder [26] or the Menu Button [24] to lock the current LCD brightness;
7. Select Exit or press the Menu Button [28] to exit the Settings menu.

### LCD Flip Setting

1. On the standby interface of the Main Unit Controller [16], press the Menu Button [28] to enter the menu list;
2. Rotate Rotary Encoder [26], select "Settings", and press to enter the "Settings" menu;
3. Rotate Rotary Encoder [26], select "LCD Flip", and press to enter the "LCD Flip" menu;
4. Rotate Rotary Encoder [26], select “Normal” or “Flip” ;
5. After selection, press the Rotate Rotary Encoder [26] or the Menu Button [28] to confirm;
6. Select Exit or press the Menu Button [28] to exit the “LCD Flip” menu.

### Fan Setting

1. On the standby interface of the Main Unit Controller [16], press the Menu Button [28] to enter the menu list;
2. Rotate Rotary Encoder [26], select "Settings", and press to enter the "Settings" menu;
3. Rotate Rotary Encoder [26], select "Fan", and press it to enter the "Fan" menu;
4. Rotate Rotary Encoder [26], to select "Auto" (default), "High", "Med", "Low";
5. After selection, press the Rotary Encoder [26] or the Menu Button [28] to confirm;
6. Select Exit or press the Menu Button [28] to exit the "Fan" menu.

### Factory Reset

1. On the standby interface of the Main Unit Controller [16], press the Menu Button [28] to enter the menu list;
2. Rotate Rotary Encoder [26], select "Settings", and press to enter the "Settings" menu;
3. Rotate Rotary Encoder [26], select "Factory Reset", and press it to enter the "Factory Reset" menu;
4. Rotate Rotary Encoder [26], select "Yes", and press the Rotary Encoder [26] to confirm;
5. The main unit immediately clears all settings and favorite information, automatically restarts and restores factory settings.

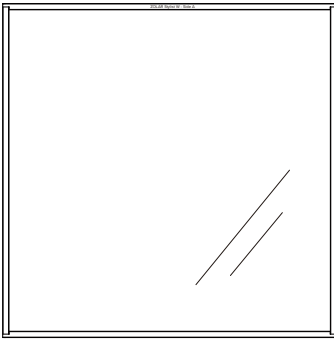
## Accessory

### ZOLAR™ Stylist 32x32

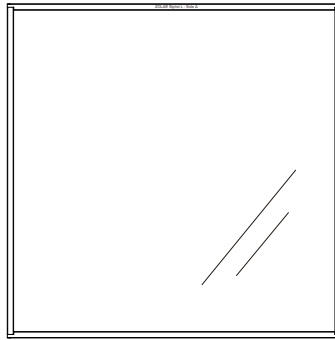
ZOLAR™ Stylist accessories are precision directional light-transmitting super-penetrating panels that can be easily placed in front of the LEDs to control the beam angle, while providing a soft light effect without color shift. After installed, accessories such as ZOLAR™ Barndoor or ZOLAR™ Softbox can be added to further shape the light to achieve the desired effect.

ZOLAR™ Stylist have three options: ZOLAR™ Stylist W 32x32 (standard accessory) and ZOLAR™ Stylist L 32x32 and ZOLAR™ Stylist L Plus 32x32 (optional accessories). You may purchase on your own.

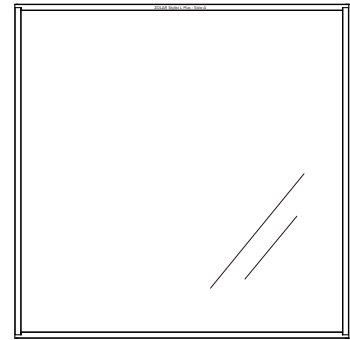
The standard package includes a ZOLAR™ Stylist W 32x32, it is recommended to install and use together for best results.



ZOLAR™ Stylist W 32x32  
(Stand package)



ZOLAR™ Stylist L 32x32  
(Not included in standard package)



ZOLAR™ Stylist L Plus 32x32  
(Not included in standard package)

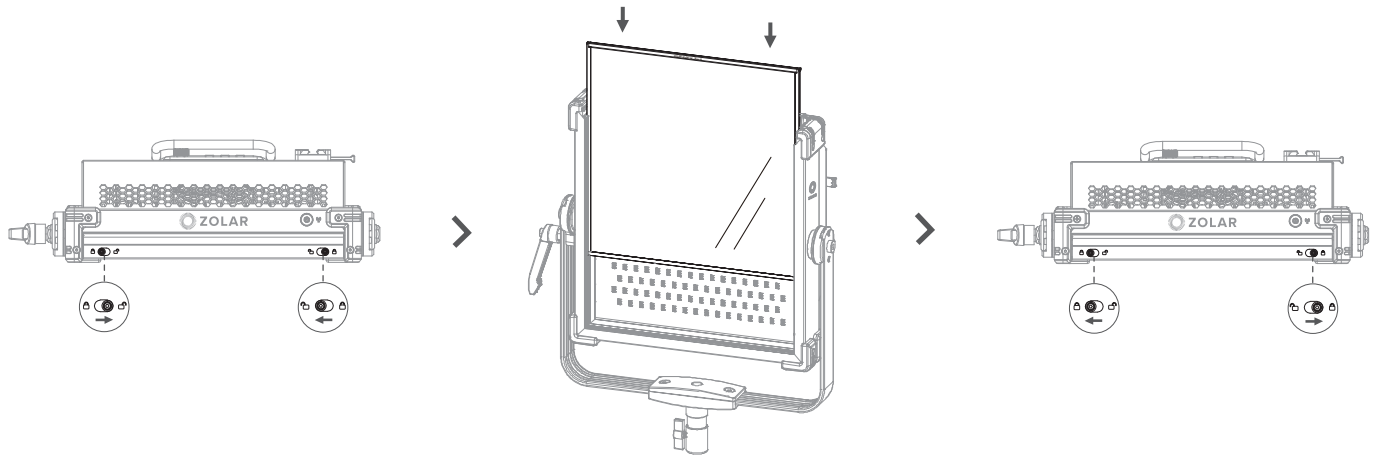
#### ZOLAR™ Stylist W 32x32 (Standard Accessory)

1. There are A and B sides;
2. When the side A faces outward, the beam angle will be changed to 90°;
3. When the side B faces outward, the beam angle will be changed to 127°.

Note: ZOLAR™ Stylist L & ZOLAR™ Stylist L Plus only for use on ZOLAR™ Toliman 30S.

### Insert ZOLAR™ Stylist 32x32

1. Gently push the slide latch [23] inwards to the unlocked position;
2. Flip the top frame up to reveal the 3x ZOLAR™ Stylist Slots [02];
3. Slowly insert the ZOLAR™ Stylist accessories along the slot, and pay attention to whether the side A and B are in the correct direction;
4. Close the top frame, push the slide latch [23] lightly to the locked position.



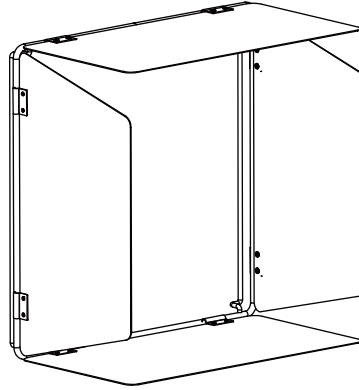
Graphic: Insert ZOLAR™ Stylist

### Take Out ZOLAR™ Stylist 32x32

1. Gently push the slide latch [23] inwards to the unlocked position;
2. Flip the top frame up to reveal the 3x ZOLAR™ Stylist Slots [02];
3. Slowly take out the ZOLAR™ Stylist accessories along the slot;
4. Close the top frame, push the slide latch [23] lightly to the locked position.

## ZOLAR™ Barndoor 32x32 (Optional Accessory)

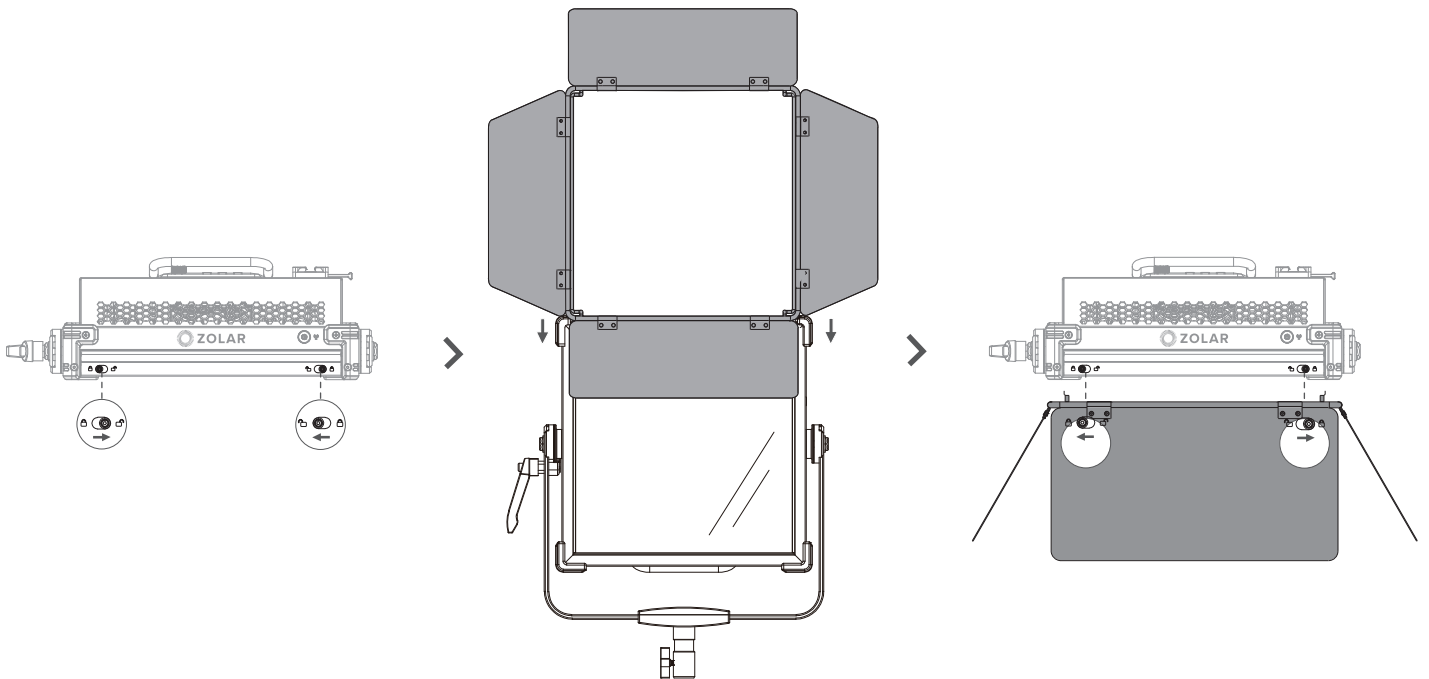
ZOLAR™ Barndoor is a professional cinema-grade blackout accessory, which is placed in front of the main unit. It uses the opening angles of the four leaves to effectively control the light spread and beam direction, providing users with convenient and professional light control effects.



ZOLAR Barndoor 32x32

### Insert ZOLAR™ Barndoor 32x32

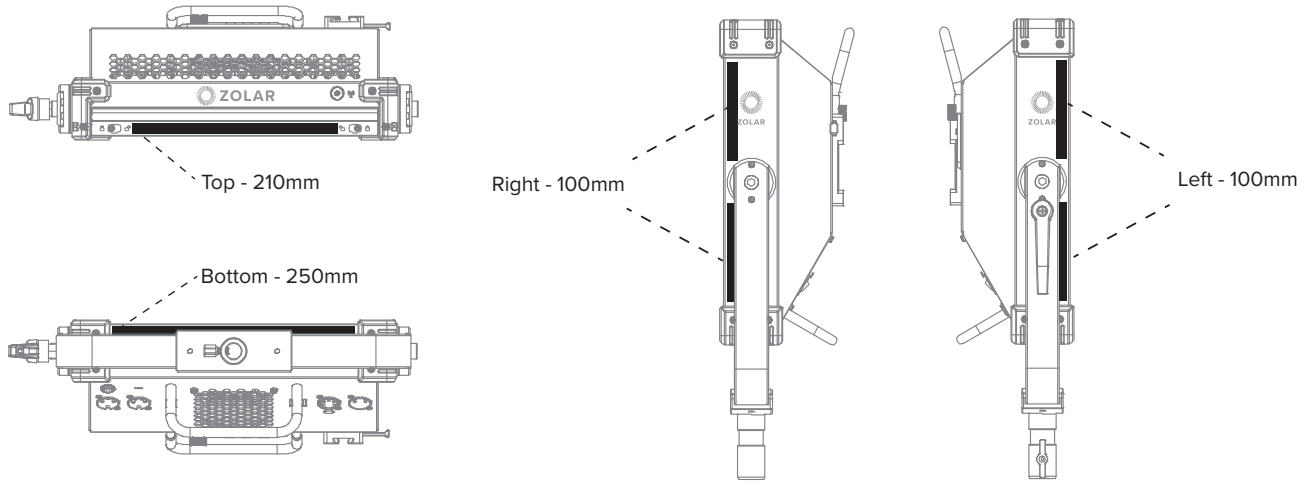
1. Gently push the slide latch [23] inwards to the unlocked position;
2. Flip the top frame up to reveal the 3x ZOLAR™ Stylist Slots [02];
3. Slowly insert the ZOLAR™ Barndoor accessories along the slot;
4. Close the top frame, push the slide latch [23] lightly to the locked position.



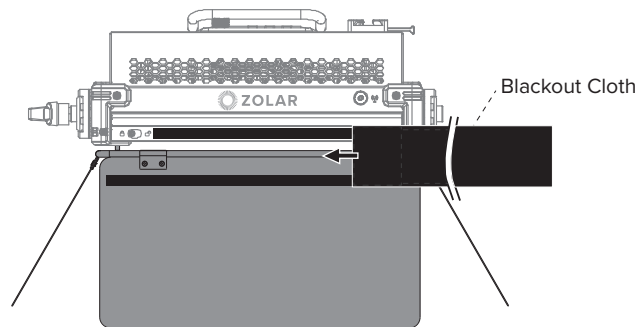
Graphic: Insert ZOLAR™ Barndoor

### Install the ZOLAR™ Barndoor velcro

1. Cut the Velcro to the specified length and paste it as shown;;
2. Tear off the velcro sticker on the Barndoor;
3. Connect the Blackout Cloth to the Main Unit and the Barndoor to prevent light leak.



Graphic: Paste Velcro



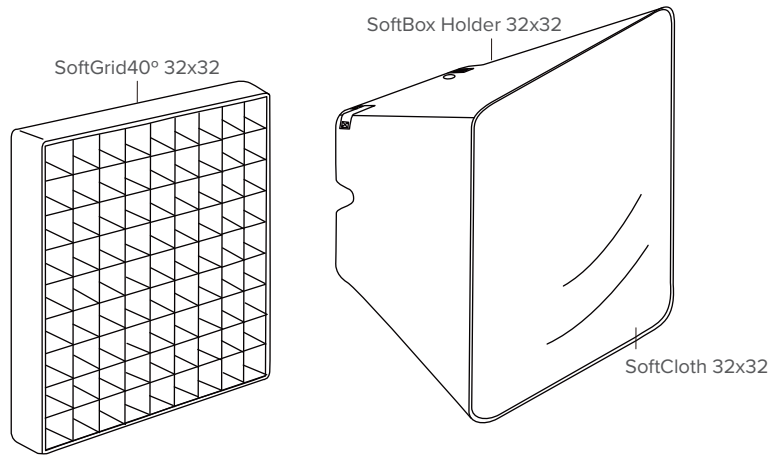
Graphic: Insert ZOLAR™ Barndoor

### Take Out ZOLAR™ Barndoor 32x32

1. Slowly tear off the blackout cloth;
2. Gently push the slide latch [23] inwards to the unlocked position;
3. Flip the top frame up to reveal the 3x ZOLAR™ Stylist Slots [02];
4. Slowly take out the ZOLAR™ Barndoor accessories along the slot;
5. Close the top frame, push the slide latch [23] lightly to the locked position.

## ZOLAR™ SoftBox Accessory Kit 32x32 (Optional Accessories)

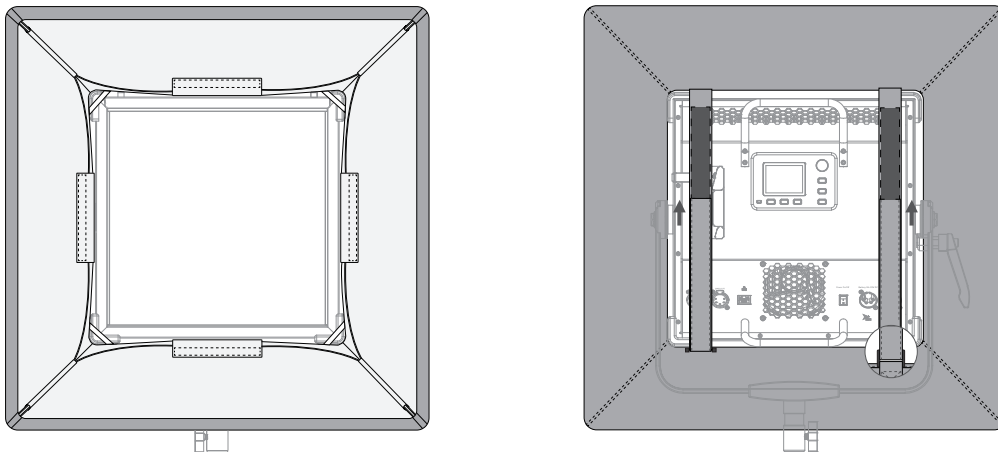
ZOLAR™ SoftBox Accessory Set is a set of professional cinema-grade diffuser accessories, including SoftBox Holder, SoftCloth and SoftGrid, which are fixed in front of the main unit. Use the SoftBox Holder with the SoftCloth to increase the light-emitting area, the light is soft and uniform, and high color saturation; use the SoftBox Holder with the SoftGrid to achieve directional light distribution, more accurate and controllable guidance the direction of the light and the range of illumination, create a light source effect with a prominent center and a soft transition between light and shade at the edges.



ZOLAR™ SoftBox Accessory Kit 32x32

### Mount the ZOLAR™ SoftBox 32x32

1. Unfold the ZOLAR™ SoftBox, put it in front of the main unit, make the corresponding gap fit with the main unit structure, and adjust the corner velcro to keep it fix;
2. Pass two velcro straps through the plastic buckles, tighten the straps and stick the velcro to ensure that the SoftBox is solidly installed.



Graphic: Mount the ZOLAR™ SoftBox

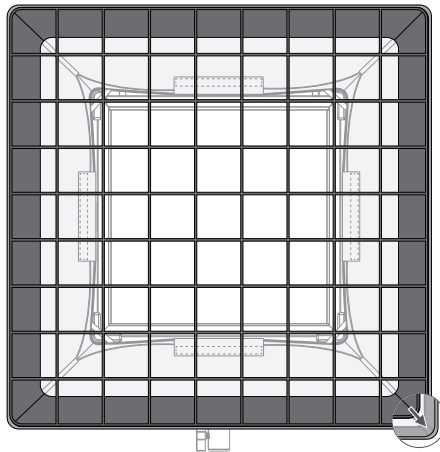


### Install ZOLAR™ SoftCloth 32x32

1. Unfold the ZOLAR™ SoftCloth and attach the Velcro straps on the front side of the ZOLAR™ SoftBox Holder and make the surface flat.
2. The installation is complete.

### Install ZOLAR™ SoftGrid 40° 32x32

1. Gently pull off the ZOLAR™ SoftCloth from the ZOLAR™ SoftBox Holder along one corner.
2. Unfold the ZOLAR™ SoftGrid and attach each side of the Velcro strap to the front side of the ZOLAR™ SoftBox and make the whole fixed firmly.



Graphic: Install ZOLAR™ SoftGrid

### Remove ZOLAR™ SoftBox Holder 32x32

1. Unfasten the Velcro straps on the rear side of the ZOLAR™ SoftBox Holder;
2. Unfasten the Velcro straps at the back corners of the ZOLAR™ SoftBox Holder;
3. Slowly pull the four corners of the ZOLAR™ SoftBox Holder away from the main unit.

## Product Specifications

Brand	ZOLAR™
Series	Toliman
Model	30C
LED Type	Bi-color, Full Spectrum
White Light	3,200K ~ 5,600K continuously variable correlated color temperature
Light Diffusion System	Reflective Membrane + ZOLAR Stylist
Color Rendition	CRI: Ra ≥ 98 (R9 & R12 up to 98), TLCI ≥ 98
Spectral Similarity Index	SSI up to 90
Light Aperture	240mm x 240mm
Dimming	0~100% continuous (Main Unit Controller 0.1% precision), different dimming curves, smooth dimming down to zero without color shift
Color Temperature Tolerance	± 100 K (nominal)
Tilt Angle	± 360°
Handling	Aluminium Yoke, Tilt Lock Clamping Lever, Pole Operation for pan & tilt
Mounting	16 mm / 28 mm Combo Pin (Baby 5/8" / Junior 1-1/8" Combo Pin) / 28 mm Spigot (Junior Pin)
Multi Light Sync	ZolarLink-Multi Light Sync Protocol, up to 16 groups with 60 slave units maximum per group (wireless); up to 32 units maximum per group (cable)
Control	Main Unit Controller
Remote Controller	Remote Controller, cable length 5m (16.4 ft)
Wireless Control	Wi-Fi, Bluetooth, ZOLAR™ Mobile App, Art-Net 4 & sACN protocol
Remote Device Management(RDM)	DMX Setup, Standard RDM commands
Ethernet	Ethernet connectivity, Art-Net 4 & sACN protocol
DMX	5-Pin DMX In, 5-Pin DMX Out
Power Input	48 V, 5.2A DC
Power Connection	Male 3-Pin XLR - 15A (Pin 1: Negative / Pin 2: Positive)
Battery Input	Dual V-Mount, 12.8 ~ 16.8V (180Wh min.)
PSU	110 ~ 240V, AC loop out, powerCON
Power Consumption	250W maximum

Cooling System	Low Noise Fan mode (Auto, High, Mid, Low)
Ambient Temperature Operation	-20°C ~ +45°C
Estimated LED Lifetime	50,000 hours (L70)
Estimated Color Shift Over ±5% Lifetime (CCT)	± 5%

Weight (Main Unit)	3.67 kg (Main Unit + ZOLAR™ Stylist W)
Weight (Main Unit)	4.53 kg (Main Unit + ZOLAR™ Stylist W + Yoke)
Weight (Full Package)	11.08 kg (Main Unit + ZOLAR™ Stylist W + Yoke + PSU + Remote Controller + Packng Materials)
Measurements (HxWxL)	474.5 x 420 x 130 mm (Main Unit + Yoke)
Measurements (HxWxL)	580 x 540 x 330 mm (Full Package)

Certifications	CE, FCC, UKCA, SRRC
----------------	---------------------

Main Unit Color	Gun-grey
-----------------	----------

PSU	PSU250
AC Power Input Range	100 ~ 240V, 50/60 Hz
AC Power Loop Out	100 ~ 240V, 50/60 Hz
DC Power Output	48V, 5.2A DC
Battery Power Input	Dual V-Mount, 12.8 ~ 16.8V (180Wh min.)
Battery Power Output	26 ~ 33.6V
Weight	1.54 kg
Measurements (HxWxL)	105 x 100 x 295 mm
Mounting	V-Mount Plate
Certifications	CE, FCC, UKCA

Disclaimer:

- All measured values are average numbers.
- All product features and technical specifications stated are subject to the sole interpretation and explanation of Shenzhen ImagineVision Technology Limited, and subject to change without notice.

## Photometric data\*\*

Beam Angle: Side A 90°, Side B 127°

ZOLAR™ Toliman 30C	Beam Angle	1 m / 3.3 ft			3 m / 9.8ft			
		CCT			CCT			
		3,200K	4,000K	5,600K	3,200K	4,000K	5,600K	
w/ ZOLAR™ Stylist W*	90°	2,636 lx	2,809 lx	3,094 lx	316 lx	337 lx	370 lx	45°
		245 Fc	261 Fc	288 FC	29 Fc	31 Fc	34 Fc	
		4,785 lx	5,103 lx	5,611 lx	552 lx	588 lx	647 lx	30°
		445 Fc	474 Fc	522 Fc	51 Fc	55 Fc	60 Fc	
		6,026 lx	6,405 lx	7,022 lx	749 lx	797 lx	877 lx	15°
		560 Fc	595 Fc	653 Fc	70 Fc	74 Fc	82 Fc	
		6,508 lx	6,874 lx	7,504 lx	787 lx	838 lx	918 lx	Center
		605 Fc	639 Fc	697 Fc	73 Fc	78 Fc	85 Fc	
		6,026 lx	6,405 lx	7,022 lx	749 lx	797 lx	877 lx	15°
		560 Fc	595 Fc	653 Fc	70 Fc	74 Fc	82 Fc	
		4,785 lx	5,103 lx	5,611 lx	552 lx	588 lx	647 lx	30°
		445 Fc	474 Fc	522 Fc	51 Fc	55 Fc	60 Fc	
		2,636 lx	2,809 lx	3,094 lx	316 lx	337 lx	370 lx	45°
		245 Fc	261 Fc	288 Fc	29 Fc	31 Fc	34 Fc	

\* Side A facing outward

\*\* All measured values are average numbers. There is a certain variance in different products.

## Warranty Policy

### Warranty Scope

Warranty Service covers defects in material and workmanship of ZOLAR™ Toliman 30C product and its accessories and annexes contained therein (hereinafter collectively referred to as “this Product” ).

### Warranty Period

Warranty Period is 12 months from the date of original purchase. Warranty period will start 90 days from date of production shown on the product, or 90 days from date of shipment according to internal record of ImagineVision, whichever is later, in case of failure to produce valid purchase invoice or other valid proof showing date of original purchase.

Serviced or replacement product will continue to be covered under the original warranty period of the product.

### Warranty Arrangement

In case the product is found defective either due to material or workmanship issues by ImagineVision or its designated/approved service partners within the warranty period, ImagineVision or its designated / approved service partners will carry out repair service or product replacement at no cost. Note that all costs and risks associated with the transportation and delivery of the defective product to ImagineVison or its designated/approved service partners shall be borne by the customer.

### Limited Warranty

- This warranty is non-transferable and non-assignable, and only applicable to the original purchase customer.
- This warranty does not cover any misused, abused, accidentally or intentionally damaged, altered / deleted serial number product.
- This warranty does not cover repaired or replacement products serviced by non ImagineVision authorized service center or personnel.

## FCC Compliance Statement

This device complies with Part 15 of the FCC Rules. Operation is subject to the following two conditions:

1. This device may not cause harmful interference, and
2. This device must accept any interference received, including interference that may cause undesired operation.

**Warning:** Changes or modifications not expressly approved by the party responsible for compliance could void the user's authority to operate the equipment.

**Note:** This equipment has been tested and found to comply with the limits for a Class B digital device, pursuant to Part 15 of the FCC Rules. These limits are designed to provide reasonable protection against harmful interference in a residential installation. This equipment generates, uses, and can radiate radio frequency energy and, if not installed and used in accordance with the instructions, may cause harmful interference to radio communications. However, there is no guarantee that interference will not occur in a particular installation. If this equipment does cause harmful interference to radio or television reception, which can be determined by turning the equipment off and on, the user is encouraged to try reorient or relocate the receiving antenna.

- Increase the separation between the equipment and receiver.
- Connect the equipment into an outlet on a circuit different from that to which the receiver is connected.
- Consult the dealer or an experienced radio/TV technician for help.

## RF Warning Statement

This device has been evaluated to meet general RF exposure requirements.



**ZOLAR**<sup>TM</sup>

This manual is subject to update without notice.

You can check the latest version of the User Manual on the ZOLAR official website

<https://www.zcam.com/zolar/toliman-30c/>

If you have any questions or suggestions about the User Manual,  
please contact us via the following email:

[marketing@imvt.com](mailto:marketing@imvt.com)